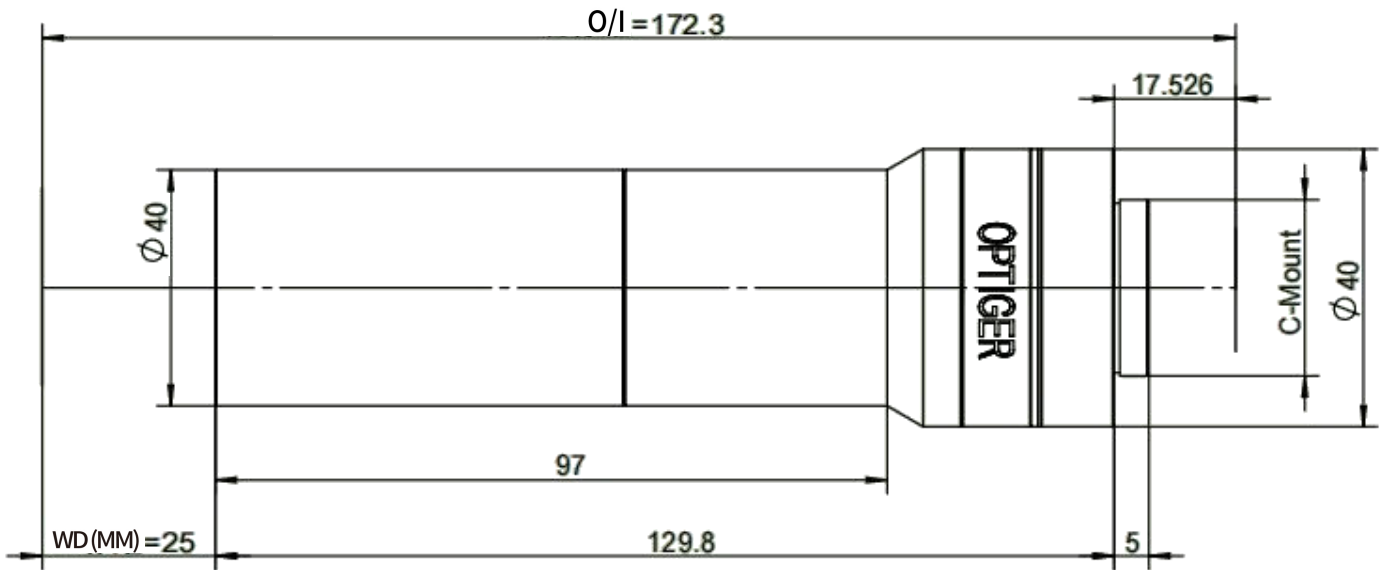


TTL18.5-11.5-25C



Unit: mm

Specifications

Max. FOV(mm)	11.5
Sensor Size (mm)	18.5
Magnification	1.609
WD (mm)	25 \pm 2
Effective F-number	7
Object-side Resolution (μ m)	2.92
DOF (mm)	0.22
Measured Telecentricity	0.04 $^\circ$
Measured Distortion	0.025%
Mount	C-Mount
Length(mm)	129.8
Diameter (mm)	40
Weight (g)	313.4

DESIGNED IN GERMANY
ULTRA HIGH PERFORMANCE BI-TELECENTRIC LENSES

Features

Available for cameras with sensor size of 1.1"

Available for cameras with pixel size of 3.45 μ m

FOV (mm*mm)

1"(12.8X9.6)	8.0X6.0
1.1"(14.1X10.6)	8.8X6.6
Max Sensor Size (14.8X11.1)	9.2X6.9